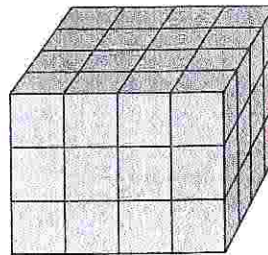


# Homework

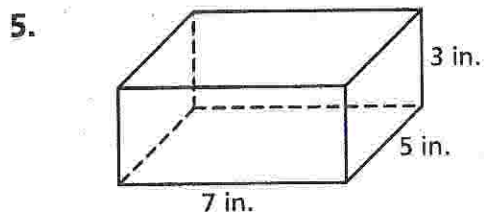
Use the prism on the right to answer the questions.

- How many cubes are in 1 layer? \_\_\_\_\_
- How many layers are in the prism? \_\_\_\_\_
- Write a multiplication expression for the volume.  
\_\_\_\_\_

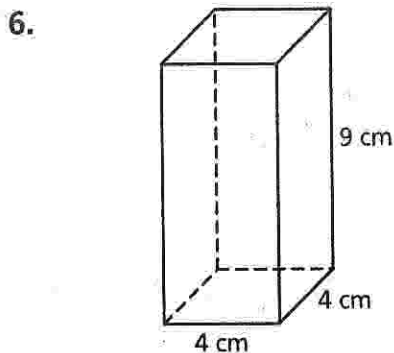


- What is the volume of the prism? \_\_\_\_\_

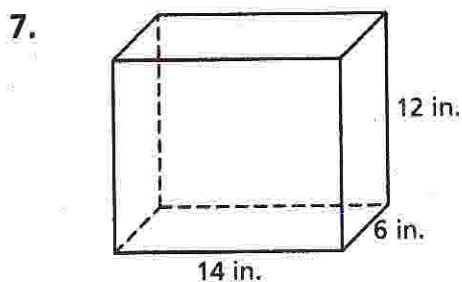
Find the volume.



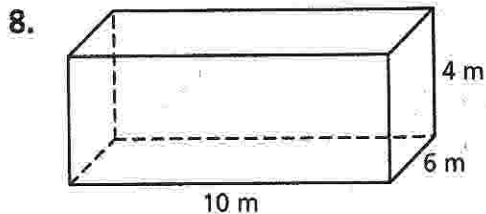
Volume: \_\_\_\_\_



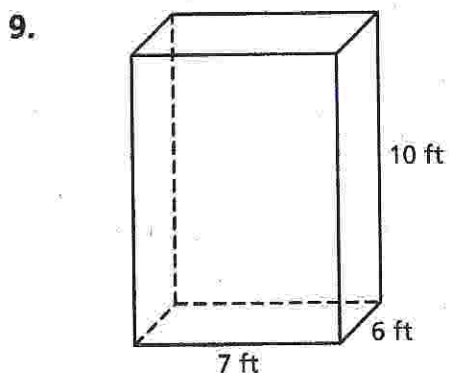
Volume: \_\_\_\_\_



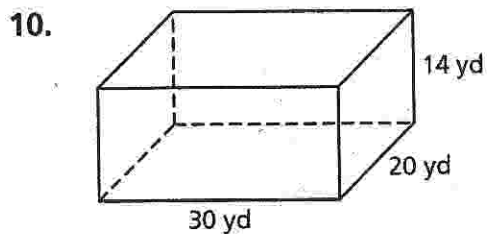
Volume: \_\_\_\_\_



Volume: \_\_\_\_\_



Volume: \_\_\_\_\_



Volume: \_\_\_\_\_

## Remembering

Solve. Follow the Order of Operations.

1.  $21 - 6 + 3 - 6$

2.  $(7.9 - 5.1) \cdot (0.2 + 0.8)$

3.  $6 \cdot 10 \div 5$

4.  $\frac{1}{5} \cdot \frac{1}{5} \div \frac{1}{5}$

5.  $(2\frac{3}{8} - \frac{1}{4}) \times \frac{1}{8}$

6.  $\frac{5}{8} - 3 \cdot \frac{1}{16}$

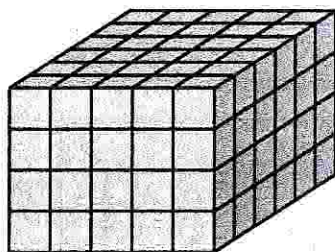
7.  $16 \div 0.2 + 15 \div 0.03$

8.  $64 \div (6.6 + 1.4) \cdot 2$

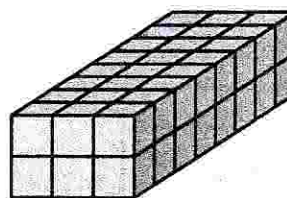
9.  $0.7 - 0.9 \div 3 + 0.6$

Find the number of unit cubes and the volume.

10.



11.



Number of unit cubes: \_\_\_\_\_

Number of unit cubes: \_\_\_\_\_

Volume: \_\_\_\_\_

Volume: \_\_\_\_\_

12. **Stretch Your Thinking** I'm a figure with six layers. Each of my layers is the same. My bottom layer has a perimeter of 28 units, and my volume is between 200 and 300 cubic units. What is my volume?
- \_\_\_\_\_